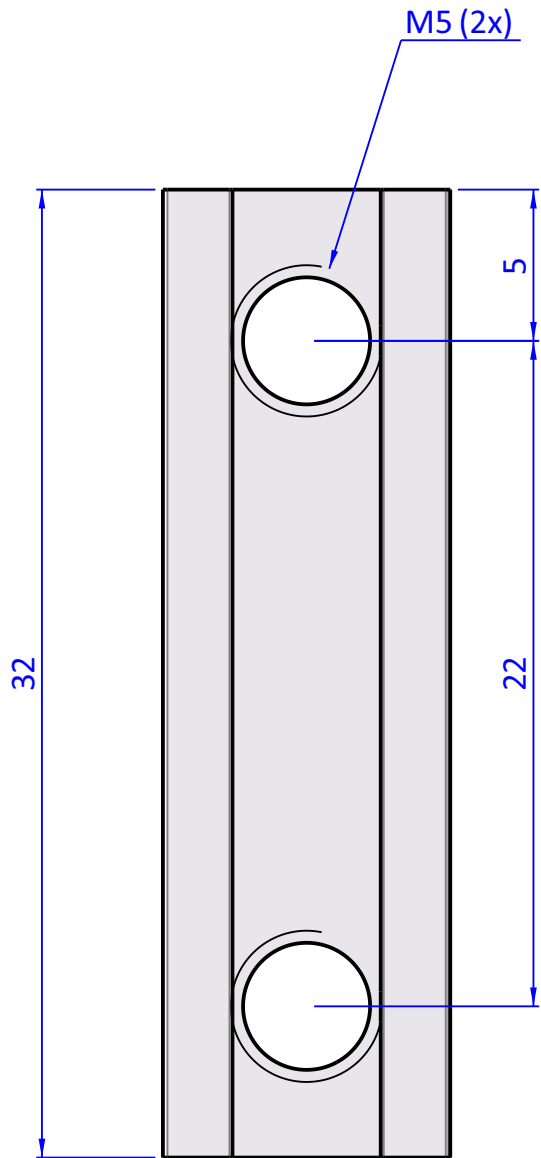
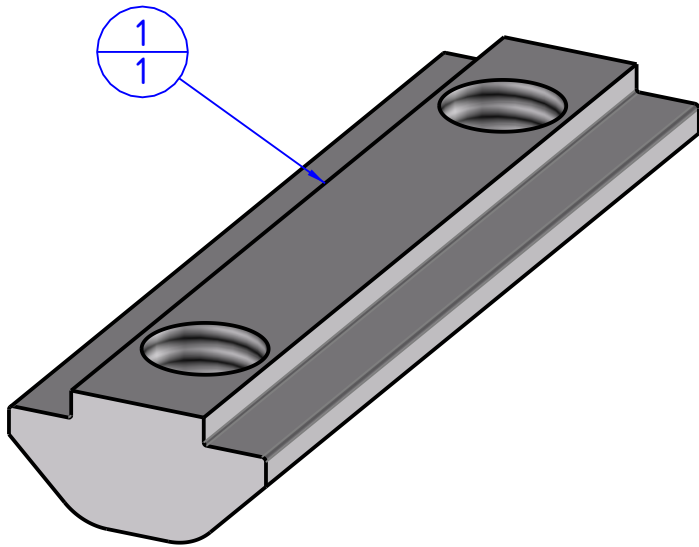
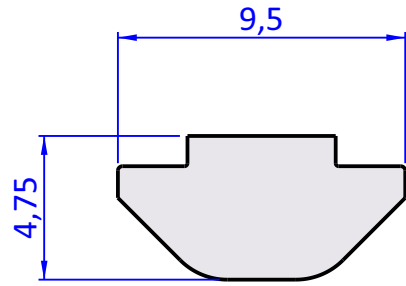
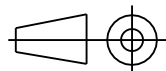


Item	Name	Q.ty
1	GWP.5.22.F	1



THE PROPERTY OF THE DRAWING IS ESTABLISHED BY LAW. IT IS FORBIDDEN TO PRODUCE OR SHOW IT TO THIRD PART, WITHOUT A WRITTEN AGREEMENT.



DESIGNED FROM FPS Automation	REVIEW A
--	--------------------

DATE 30/11/2023	WEIGHT 0,003kg
---------------------------	--------------------------

CODE CA.GWP.5.22.F

Format **A4**

UNI 936-76

GENERAL TOLERANCE

UNI - ISO 2768

CLASSE f

DESCRIPTION

CA.GWP.5.22.F